

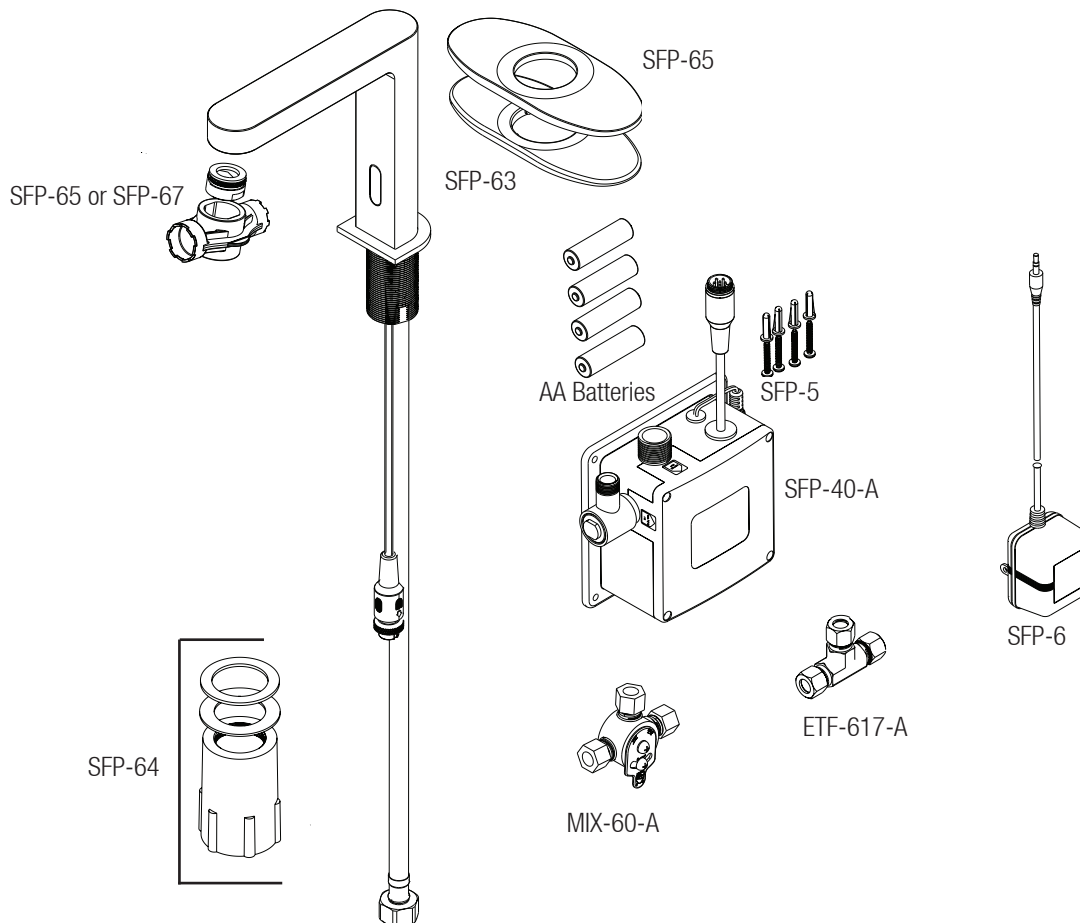
SF-2900/SF-2950 Parts & Accessories



SF-2900 Deck Mount, Hardwired
SF-2950 Deck Mount, Battery Powered

SPOUT ASSEMBLY		
DESCRIPTION	CODE No.	PART No.
Faucet Assembly SF-2900/2950	33621022	SFP-63
Spout Mounting Kit (SF2900/2950)	33620007	SFP-64
TRIMPLATE OPTIONS		
DESCRIPTION	CODE No.	PART No.
4" Trimplate with Spacer (SF2900/2950)	03800004	SFP-65
SPRAYHEAD OPTIONS		
DESCRIPTION	CODE No.	PART No.
0.35 GPM/1.32 Lpm MLM (SF2900/2950)	33620008	SFP-66
0.5/1.9 Lpm/MLM (SF2900/2950)	33620009	SFP-67

DECK MOUNT ASSEMBLY		
DESCRIPTION	CODE No.	Part No.
Plug-in Adapter (120VAC/6VDC)	0362006	SFP-6
Backcheck Tee	3365461	ETF-617-A
Battery "AA" Size	_____	_____
Control Module	0362040	SFP-40-A
Mechanical Mixing Valve	3326009	MIX-60-A
Control Box Mounting Kit	0362005	SFP-5



NOTE: Some parts and accessories must be ordered separately * Not shown