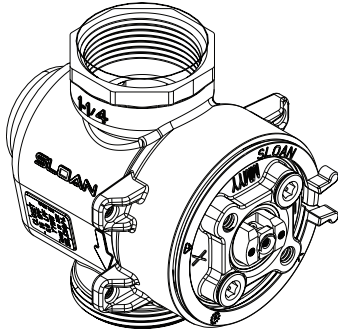


INSTALLATION INSTRUCTIONS FOR TRUFLUSH MANUAL DUAL FLUSH VALVE



Manual Dual Flush Models:

TRF1036-N-Man Dual Flush
6/3 LPF Valve

TRF1024-N High Efficiency
4-4.5/2-2.5 LPF Valve

SLOAN® INDIA PRIVATE LIMITED — LIMITED WARRANTY SUMMARY

Sloan India Private Limited ("Sloan"), warrants its products against defects in materials and workmanship, excluding damage caused by matters beyond Sloan's reasonable control. Instructions for filing claims can be found in the Limited Warranty which can be obtained at <https://www.sloan.com/company/international/sloanindia> or by requesting a free copy by telephone to Sloan India toll free number 1 800 123 3080 or via Mobile: +91 729 005 0961 or via Landline : +91 124 601 3333. Sloan will repair or replace your defective product, or provide a refund, as your exclusive remedy.

This is only a general summary of Sloan's Limited Warranty so it is important to note that the specific terms, conditions, limitations and exclusions, including the duration of warranty coverage for your particular Sloan product, are contained in the actual Sloan Limited Warranty. The Limited Warranty is subject to applicable laws in your country, state, province or other jurisdiction—and disputes arising under the Limited Warranty are to be resolved by binding arbitration unless you provide Sloan with an opt-out notice no later than 30 days after your purchase date. In case of a conflict with this summary, the terms and conditions set forth in the complete Limited Warranty will prevail.

PRIOR TO INSTALLATION

This valve is designed for new construction or where there is easily accessed plumbing for the fixture and the valve. This valve is designed for minimum six inch (153 mm) wall space depth. Distance from center of the valve (inlet or outlet pipe) to the finished surface of the wall can vary from 2"-3" (51-76 mm).

Wall plate opening must be minimum of 4" x 4" (102 x 102 mm) to maximum of 4.5" x 4.5" (114 mm x 114 mm). Mud plate is provided and must accompany valve for proper installation. Mud plate is removed after wall is finished.

TOOLS REQUIRED FOR INSTALLATION

- Phillips screwdriver
- Adjusting tool (supplied)

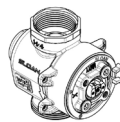


ITEMS INCLUDED WITH THE PRODUCT

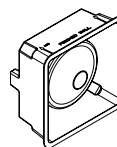
VALVE BOX

1. Valve assembly
2. Mud Guard
3. (2) #10-32 x 2-1/2 screws to secure mud guard
4. (2) 1/4"-20 x 2" screws to remove activation assembly
5. Adjusting tool
6. Installation instructions

1. Valve Assembly



2. Mud Guard



3. Mud Guard Screws



4. Activation Assembly
Screws



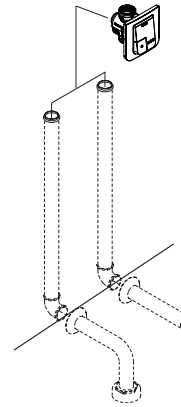
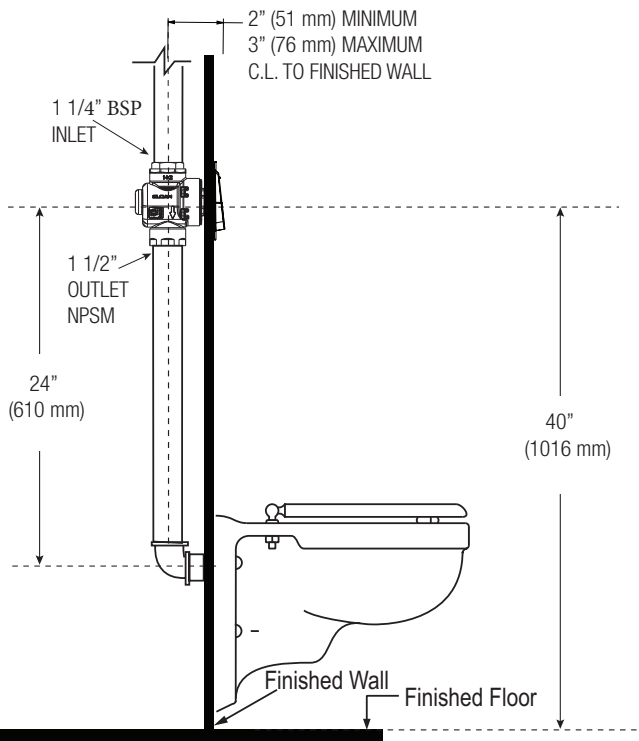
5. Adjusting Tool



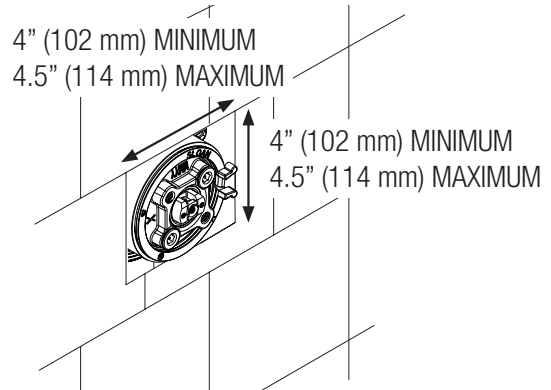
6. Instructions



ROUGH-IN



NOTE: Flush Connections shown in dotted lines not included.



!!! IMPORTANT !!!

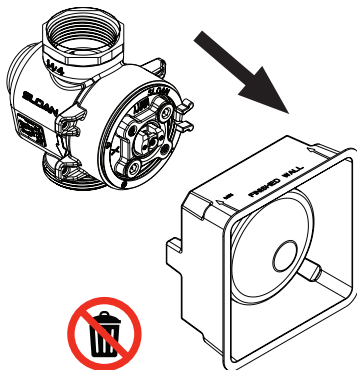
SLOAN'S FLUSHOMETERS ARE DESIGNED TO OPERATE WITH 20 TO 80 PSI (138 TO 552 KPA) OF WATER PRESSURE. **THE MINIMUM PRESSURE REQUIRED TO THE VALVE IS DETERMINED BY THE TYPE OF FIXTURE SELECTED.** CONSULT FIXTURE MANUFACTURER FOR MINIMUM PRESSURE REQUIREMENTS. MOST HIGH EFFICIENCY WATER CLOSETS REQUIRE A MINIMUM FLOWING PRESSURE OF 25 PSI (172 KPA). MANY BUILDING CODES AND THE ASME A112.19.2 FIXTURE STANDARD LIST MAXIMUM STATIC WATER PRESSURE AS 80 PSI (552 KPA).

!!! IMPORTANT !!!

WITH THE EXCEPTION OF INLET, DO NOT USE PIPE THREAD SEALANT. DO NOT USE PLUMBING GREASE ON VALVE COMPONENTS OR COUPLINGS!

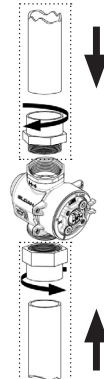
1. CONNECT FLUSHOMETER

1. Remove the mud guard and save for later use - **DO NOT DISCARD.**

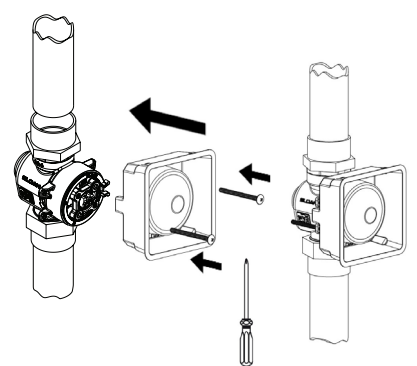


2. Connect inlet pipe to top ("IN") and fixture flush connection to bottom ("OUT") of flushometer, tighten securely.

NOTE: MTA/FTA not included; must be purchased separately.

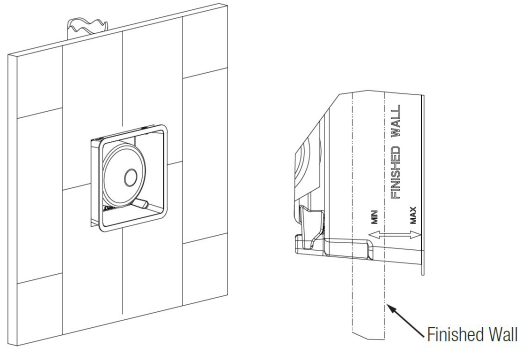


3. Reinstall mud guard to valve. Use the mud guard screws (supplied).

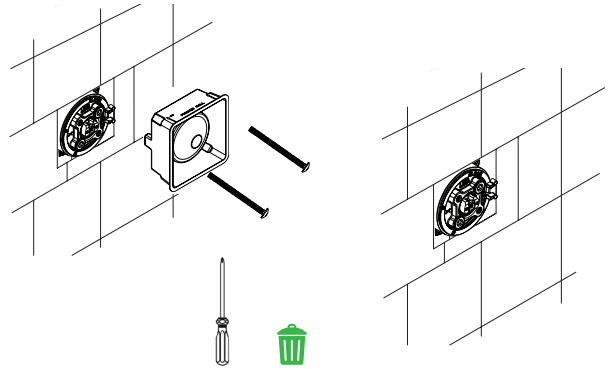


2. FINISH WALL

1. Finish the wall. Use marks on mud guard to make sure finished wall is in between 2" (51 mm) and 3" (76mm) from centerline of inlet pipe.



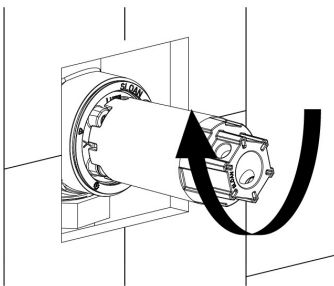
2. Remove mud guard and discard.



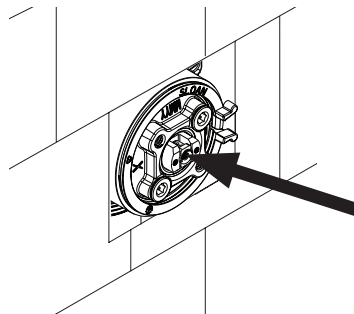
3. PURGE PLUMBING SYSTEM

Ensure TruFlush valves are in the **closed** position prior to opening water main valve to supply and pressurize plumbing system.

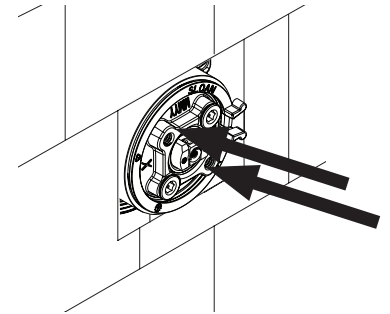
1. Ensure the activation assembly is turned fully clockwise. If not, use the adjustment tool (supplied) to turn it fully closed.



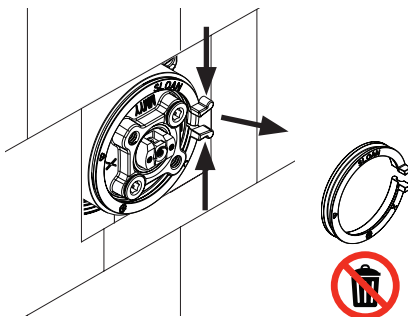
2. Push the plunger screw in the center to relieve pressure inside the flushometer.



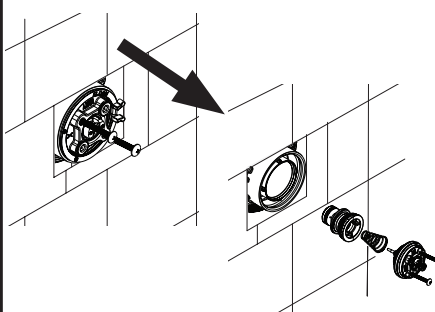
3. Push the activation assembly until fully seated.



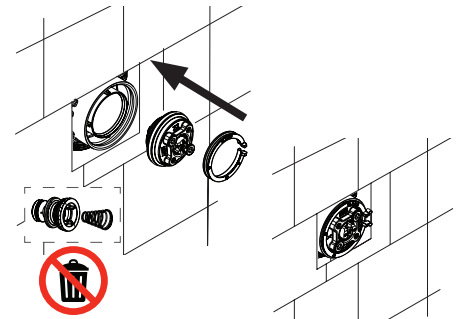
4. Squeeze and then pull the safety ring out. **Do not discard safety ring.**



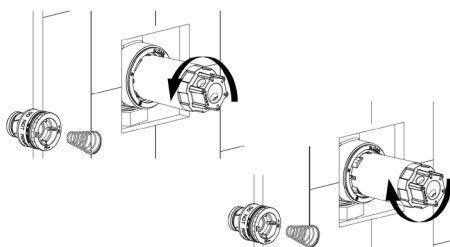
5. Use activation assembly screws (supplied) to pull the activation assembly out with the piston and conical spring.



6. Keep the piston and conical spring aside. **DO NOT DISCARD** and reinstall activation assembly and the safety ring.

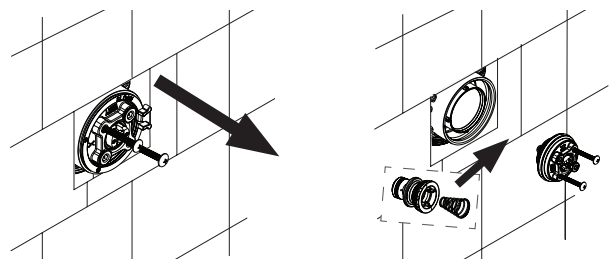


7. Using the activation tool, turn the activation assembly anti-clockwise **slowly** to open the water flow to flush the supply lines clean of air and debris - careful not to overflow the fixture. After the supply lines are cleared, turn the activation assembly clockwise to completely shut off the flow of water.



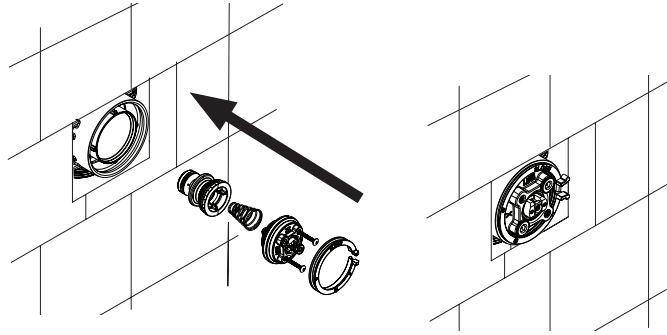
8. Remove the activation assembly using the activation assembly screws Repeat steps 2, 3, 4, and 5.

9. If the valve was flushed before any of the above steps were followed, then wash the Piston thoroughly using clean water prior to installation.



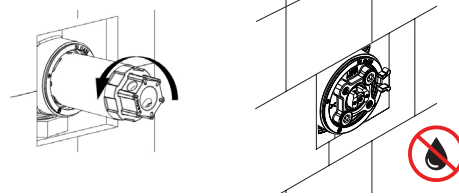
3. PURGE PLUMBING SYSTEM, CONTINUED

10. Insert the clean piston and conical spring, then reinstall the activation assembly and safety ring.



11. Use the activation tool to turn the activation assembly anti-clockwise slowly to open the flow of water.
12. Push the plunger to activate flush and adjust the flow as needed by rotating the activation assembly (clockwise to reduce flow and anti-clockwise to increase the flow).

NOTE: Make sure there are no leakages after assembly.



!!! IMPORTANT !!!

THE ACTIVATION ASSEMBLY SHOULD NEVER BE OPENED TO THE POINT WHERE THE FLOW FROM THE VALVE EXCEEDS THE FLOW CAPABILITY OF THE FIXTURE. IN THE EVENT OF A VALVE FAILURE, THE FIXTURE MUST BE ABLE TO ACCOMMODATE A CONTINUOUS FLOW FROM THE VALVE.

!!! IMPORTANT !!!

THE FLUSHOMETER IS ENGINEERED FOR QUIET OPERATION. EXCESSIVE WATER FLOW CREATES NOISE, WHILE TOO LITTLE WATER FLOW MAY NOT SATISFY THE NEEDS OF THE FIXTURE. PROPER ADJUSTMENT IS MADE WHEN PLUMBING FIXTURE IS CLEANSED AFTER EACH FLUSH WITHOUT SPLASHING WATER OUT FROM THE LIP AND A QUIET FLUSHING CYCLE IS ACHIEVED.

4. INSTALL BUTTON / BRACKET ASSEMBLY

Refer to the Wall Plate Installation Manual (08160128), available on www.sloan.in.



Wall Plate
sold separately

NOTE Maximum of two (2) free of charge service technician visits are applicable, one each for pre and post installation guidance of the product, any further technician visits will incur additional charges. Please contact your local Sloan representative for more information.

For complete listing of items available for repair, please consult the Maintenance and Repair Guide.

The information contained in this document is subject to change without notice.

SLOAN INDIA PRIVATE LIMITED • 344, PHASE-II UDYOG VIHAR, GURUGRAM 122015 INDIA

Phone: (+91) 124-6013300/33 • Toll Free: 1800.123.3080 • customercare@sloan.in • www.sloan.in