

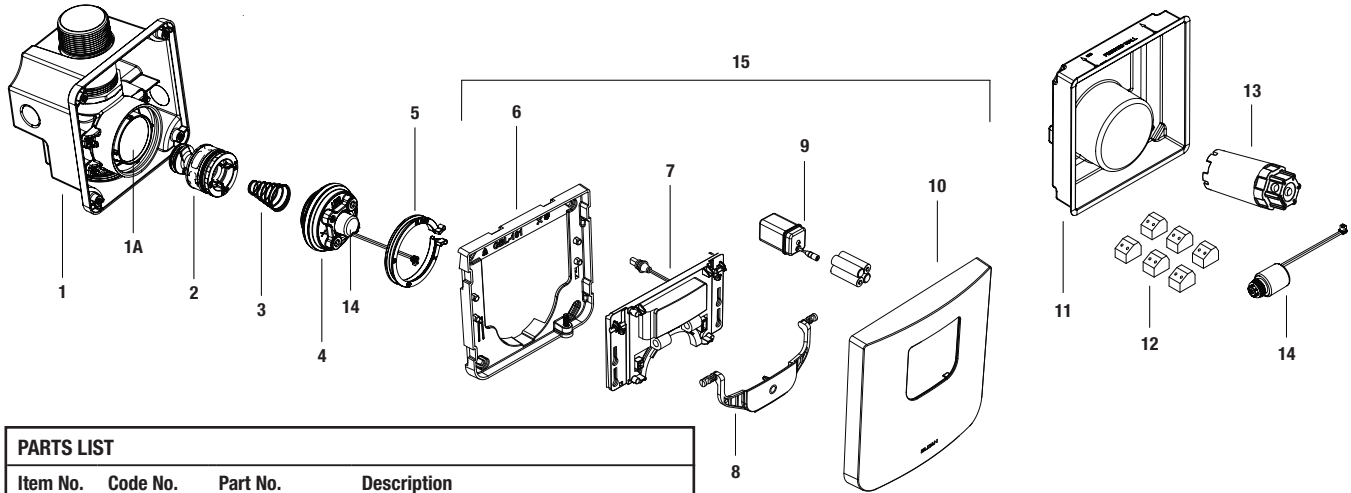
TruFlush Hardwired/Battery Flushometer

Sensor Closet Flushometers

- TRF 8156 - 1.6 gpf
- TRF 8156 - 1.28 gpf
- TRF 8156 - 1.1 gpf

Sensor Urinal Flushometers

- TRF 8196 - 0.5 gpf
- TRF 8196 - 0.25 gpf
- TRF 8196 - 0.125 gpf

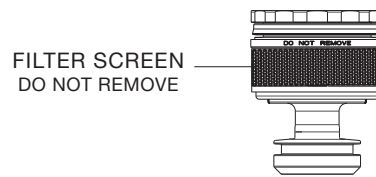


PARTS LIST			
Item No.	Code No.	Part No.	Description
1.	—	—	Valve Assembly with Box
1A.	0340085	GBL-66-A	Shut Off Sleeve (with O-Ring)
2.	See table to the right	—	Piston Assembly
3.	—	—	Conical Spring*
4.	See table on next page	—	Activation Assembly**
5.	3340011	GBL-1011-A	Safety Collar
6.	0340101	GBL-101	TRF Sensor Closet Wall Bracket
7.	—	—	TRF Sensor Assembly Repair Kit
8.	See table on next page	—	Override Button Only
9.	9103681PK	ELG-79	Battery Pack
10.	0340142	GBL-128	TRF Sensor Finished Wall Plate, CP †
11.	33400036	GBL-1036-A	Replacement Kit, Mud Guard Sensor (4 pack)
12.	3340033	GBL-88-A	Terminal Block Repair Kit (6)
13.	3340012	GBL-1012-A	Activation Assembly Tool
14.	See table on next page	—	Solenoid Repair Kit
15.	—	GBL-205-A	Finished Wall Plate and Sensor Assembly† (Includes items 6-10)

* Included with Piston Assembly. † Consult factory for alternate finishes.
 ** Includes Solenoid Repair Kit #14.

ITEM NO. 2 - SENSOR PISTON ASSEMBLY SELECTION GUIDE			
Code No.	Part No.	Description	Piston Color*
3340024	GBL-1024-A	1.6 gpf/6.0 Lpf Closet Piston Assembly (Washdown)	Orange
3340005	GBL-1005-A	1.6 gpf/6.0 Lpf Closet Piston Assembly	Green
3340082	GBL-1097-A	1.28 gpf/4.8 Lpf Closet Piston Assembly	Blue/Black
3340065	GBL-1090-A	1.1 gpf/4.2 Lpf Closet Piston Assembly	Burgundy/Black
3340007	GBL-1007-A	0.5 gpf/1.9 Lpf Urinal Piston Assembly	Red
3340008	GBL-1008-A	0.25 gpf/1.0 Lpf Urinal Piston Assembly	Burgundy
33400001	—	0.125 gpf/0.48 Lpf Urinal Piston Assembly	Red/Pink

* Colors may differ. Consult factory to confirm you have the correct Piston Assembly.



TRUFLUSH SENSOR PISTON
SEE CHART BELOW FOR MORE

ITEM NO. 2 - SENSOR PISTON IDENTIFICATION CHART

Flush Volume	1.6 gpf WD (India) Water Closet	1.6 gpf Water Closet	1.28 gpf Water Closet	1.1 gpf Water Closet	0.5 gpf Urinal	0.25 gpf Urinal	0.125 gpf Urinal
Piston Body	Orange with Screen	Green with Screen	Light Blue with Screen	Burgundy with Screen	Red with Screen	Burgundy with Screen	Red with Screen
Flow Control	Orange	Green	Black Cage	Black Cage	Red	Burgundy	Pink
Part Number	GBL-1024-A	GBL-1005-A	GBL-1097-A	GBL-1090-A	GBL-1007-A	GBL-1008-A	—
Code Number	3340024	3340005	3340082	3340065	3340007	3340008	33400001

TruFlush Hardwired/Battery Flushometer

ITEM NO. 4 - SENSOR ACTIVATION ASSEMBLY SELECTION GUIDE			
Code No.	Part No.	Description	Aspirator Retainer Color*
LEGACY STYLE CONNECTION - PRIOR TO DECEMBER 2021			
3340026	GBL-1026-A	1.6 gpf/6.0 Lpf Closet Activation Assembly (Washdown)	Orange
3340000	GBL-1000-A	1.6 gpf/6.0 Lpf Closet Activation Assembly	Green
3340001	GBL-1001-A	1.28 gpf/4.8 Lpf Closet Activation Assembly	Purple
3340002	GBL-1002-A	0.5 gpf/1.9 Lpf Urinal Activation Assembly	Red
3340003	GBL-1003-A	0.25 gpf/1.0 Lpf Urinal Activation Assembly	Burgundy
33400002	—	0.125 gpf/0.48 Lpf Urinal Activation Assembly†	Pink
PIGTAIL STYLE CONNECTION - AFTER DECEMBER 2021			
33400049	GBL-1071-A	1.6 gpf/6.0 Lpf Closet Activation Assembly (Washdown)	Orange
33400048	GBL-1072-A	1.6 gpf/6.0 Lpf Closet Activation Assembly	Green
33400047	GBL-1073-A	1.28 gpf/4.8 Lpf Closet Activation Assembly	Purple
33400066	GBL-1094-A	1.1 gpf/4.2 Lpf Closet Activation Assembly	Grey
33400046	GBL-1074-A	0.5 gpf/1.9 Lpf Urinal Activation Assembly	Red
33400045	GBL-1075-A	0.25 gpf/1.0 Lpf Urinal Activation Assembly	Burgundy
33400055	GBL-1076-A	0.125 gpf/0.48 Lpf Urinal Activation Assembly	Pink

* Colors may differ. Consult factory to confirm you have the correct Activation Assembly.

† 0.125 gpf/0.48 Lpf Valve Components (Piston, Main Seat, and Activation Assembly) are NOT interchangeable with any other flush volume Valves.

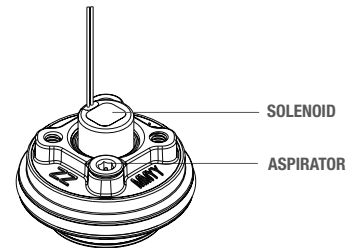
ADDITIONAL PARTS		
Code No.	Part No.	Description
3340022	GBL-1022-A	Sensor TRF Finished Wall Plate and Button Assembly, CP (Items 8 & 10 on previous page).
<p>IMPORTANT NOTE FOR 1.1 GPF FLUSHOMETERS & REPLACEMENT KITS</p> <p>Sloan 1.1 gpf/4.2 Lpf ultra-high efficiency flushometers meets all applicable standards and requirements. However, with low flush volumes it is imperative that they only be used in conjunction with toilet fixtures and drain line systems designed to operate with adequate flow rates and volumes in order to effectively eliminate waste and move it out of the building. It is the responsibility of the user to ensure both of these conditions are met. Not doing so may void your warranty.</p> <p>Sloan 1.1 gpf diaphragm and piston kits are designed as a replacement part for Sloan 1.1 gpf/4.2 Lpf flushometers only. They are not intended to be used as a means to reduce water consumption in flushometers with higher flush volumes such as 1.28 gpf/4.8 Lpf or 1.6 gpf/6.0 Lpf or higher. Using this kit in any manner other than with a Sloan 1.1 gpf flushometer may void your warranty.</p>		

NOTE: After December 2021, the Activation, Sensor, and Solenoid Assembly connections were changed to a pigtail style connector.

CONNECTION TYPES



PIGTAIL



SOLENOID

ASPIRATOR

ITEM NO. 7 - SENSOR ASSEMBLY SELECTION GUIDE		
Code No.	Part No.	Description
LEGACY STYLE CONNECTION - PRIOR TO DECEMBER 2021		
0340130	GBL-123-AC	Closet Sensor Assembly Repair Kit, Legacy connection
0340136	GBL-123-AU	Urinal Sensor Assembly Repair Kit, Legacy connection
PIGTAIL STYLE CONNECTION - AFTER DECEMBER 2021		
33400067	GBL-217-A	Closet Sensor Assembly Repair Kit, Pigtail connection
33400068	GBL-218-A	Urinal Sensor Assembly Repair Kit, Pigtail connection
ITEM NO. 14 - SENSOR SOLENOID REPAIR KIT SELECTION GUIDE		
Code No.	Part No.	Description
LEGACY STYLE CONNECTION - PRIOR TO DECEMBER 2021		
3340025	GBL-1025-A	Solenoid Repair Kit, Legacy connection
PIGTAIL STYLE CONNECTION - AFTER DECEMBER 2021		
33400078	GBL-1096-A	Solenoid Repair Kit, Pigtail connection

TruFlush Hardwired/Battery Flushometer

TROUBLESHOOTING GUIDE

1. Sensor LED Flashes Continuously Only When User Steps Within Range.

A. Unit is in start-up mode; no problem. This feature is active for the first ten (10) minutes of operation.

2. Red Light Blinks Four (4) Times When User Steps Within Range.

A. "AA" Batteries depleted; replace batteries, lithium or alkaline. Ensure batteries are installed with proper polarity (+) and (-). **Do not mix** old and new batteries or different types.

B. (Hardwired) Battery Box not connected; connect Battery Box to Sensor Assembly.

3. Valve Does Not Flush; Sensor Not Picking Up User.

A. Verify a urinal Sensor is not used on a closet Valve. Model is marked on rear of Sensor.

B. Range is too short; recalibrate range. Restart the Sensor by holding the Override Button in for 25 seconds, then release the Override Button and step away for one (1) minute; with power connected, this is considered a **Soft Reset**.

C. For **Hard Reset** of Sensor, remove all power connections (battery and hardwire) for one (1) minute. Reconnect power and step away from front of Sensor for 3½ minutes. Then test Sensor activation by standing in front of Sensor for ten (10) seconds, then step away and wait for flush. Test push button.

4. Valve Does Not Flush; Sensor Picking Up Opposite Wall or Surface, or Only Flushes When Someone Walks By.

Red Light Flashes Continuously for First 10 Minutes Even with No One in Front of the Sensor.

A. Verify a closet Sensor is not used on a urinal Valve. Model is marked on rear of Sensor.

B. Range is too long; recalibrate range. Restart the Sensor by holding the Override Button in for 25 seconds, then release the Override Button and step away for one (1) minute; with power connected, this is considered a **Soft Reset**.

C. If range needs to be manually shortened, reset the Sensor (follow Step 3B) and stand in front of the Sensor at desired range distance for one (1) minute.

D. For **Hard Reset** of Sensor, remove all power connections (battery and hardwire) for one (1) minute. Reconnect power and step away from front of Sensor for 3½ minutes. Then test Sensor activation by standing in front of Sensor for ten (10) seconds, then step away and wait for flush. Test push button.

5. Valve Does Not Flush Even After Sensor Recalibration.

A. Ensure water supply to Valve is turned on.

B. Activation Assembly sleeve is in closed position. Turn counter-clockwise to open water flow. **Note:** there is approximately 1/8-turn (45°) of free spinning as the Activation Assembly engages the Shut Off Sleeve between opening and closing the Valve.

C. Solenoid wire disconnected from Sensor. Ensure Solenoid wires are intact and Solenoid plug is connected properly.

D. "AA" Batteries depleted; replace batteries, lithium or alkaline. Ensure batteries are installed with proper polarity (+) and (-). **Do not mix** old and new batteries or different types.

E. Sensor Assembly malfunctioned. Disconnect power for one (1) minute, reconnect power, and check for start-up operation (flashing red LED). See Step 4D.

F. Check Solenoid for activation (clicking noise when pressing Sensor Override Button). If no clicks are heard, then contact Technical Support.

6. Valve Does Not Shut Off.

A. Ensure Solenoid is connected to Sensor.

B. Supply line water pressure has dropped and is not sufficient to close the Valve. Close Activation Assembly until pressure is restored.

C. Piston Filter Screen is clogged, Piston is damaged, or large debris stuck behind Piston. Turn off water at Shut Off Sleeve, release pressure, remove Safety Collar and Activation Assembly. Remove Piston and check inside Valve for large debris. **Do not attempt to remove Piston filter screen.** Replace Piston if damaged or cleaning does not correct the problem.

7. Too Much Water To Fixture.

A. Excessive flow pressure. Readjust Activation Assembly by turning clockwise to decrease flow pressure.

B. Long Flush. Worn Piston; replace with new proper gpf/Lpf Piston.

C. Wrong model installed; i.e., 1.6 gpf/6.0 Lpf model installed on 0.5 gpf/1.9 Lpf or 0.25 gpf/1.0 Lpf urinal fixture. Replace with proper model per guide.

8. Not Enough Water To Fixture.

A. Insufficient flow pressure. Readjust Activation Assembly by turning counter-clockwise to increase flow pressure.

B. Water supply pressure is inadequate (low). Increase the water supply pressure. Contact the fixture manufacturer for minimum water supply requirements of the fixture.

C. Wrong model installed; i.e., 0.5 gpf/1.9 Lpf urinal installed on a 1.6 gpf/6.0 Lpf closet fixture. Replace with proper model.

D. Check lip seal for wear. Replace Piston if lip seal is worn or twisted.

9. Chirping Noise Is Heard At Start Or End Of Flush.

A. Caused by air purging from the system inside the Valve Assembly. Noise will subside with several flushes or within a day.

10. Valve Leaks Through Aspirator When Activated.

A. Debris between the umbrella Valve and the Retainer. Blow air on the Aspirator. If this does not correct the problem, remove Retainer with 5 mm Allen Key (not included) and wash it under clean running water. Replace Aspirator if cleaning does not correct the problem.

B. Loose Retainer. Hand tight Retainer with 5 mm Allen Key (not included). Do not overtighten. Replace Aspirator if this does not correct the problem.

CARE AND CLEANING

DO NOT USE abrasive or chemical cleaners (including chlorine bleach) to clean Flushometers that may dull the luster and attack the chrome or special decorative finishes. Use ONLY mild soap and water, then wipe dry with a clean cloth or towel. If using a cleaner in a spray bottle, DO NOT spray directly onto the Flushometer, instead spray cleaner into a clean cloth and then wipe down the Flushometer.

While cleaning bathroom tile, protect the Flushometer from any splattering of cleaner. Acids and abrasive cleaning fluids will discolor or remove chrome plating.

When assistance is required, please contact Sloan Technical Support at 1.888.SLOAN.14 (1.888.756.2614).