

CODE NUMBER

70103001

DESCRIPTION

SU-7019 Urinal and CX 8198 Flushometer.

COMPONENTS

- Flushometer: Code 3400321
- Urinal: Code 1107019

DETAILS

- Flush Volume: 0.125 gpf (0.5 Lpf)
- Nominal Dimensions: 14 ¾" x 14 3/16" x 23 ½" (375 x 360 x 597mm)

FIXTURE FEATURES

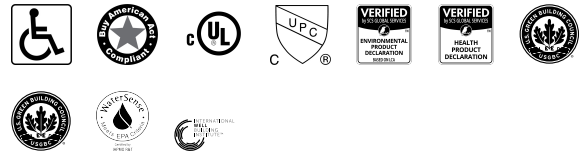
- White Vitreous China
- Washdown flushing action
- Integral flushing rim
- ¾" I.P.S. rear spud inlet
- 2" NPT outlet flange
- Vandal resistant strainer assembly included
- All mounting hardware included
- 100% factory flush tested

VIDEOS

- CX Flushometer Product Video
- CX Flushometer - Sensor Installation
- CX Flushometer - Sensor Vacuum Service
- CX Flushometer - Sensor Piston Service
- CX Flushometer Product Video (Spanish)



COMPLIANCES & CERTIFICATIONS



(ADA Compliant, BAA Compliant, cUL Certified, cUPC Certified, EPD, HPD, LEED Materials & Resources HPD Credit, LEED V4 Water Efficiency Credit, WaterSense Listed, WELL Building Standard)

DOWNLOADS

- [CX 8158/8198 Installation Instructions](#)
- [Small Spud Urinal Installation Instructions](#)
- [Additional Downloads](#)

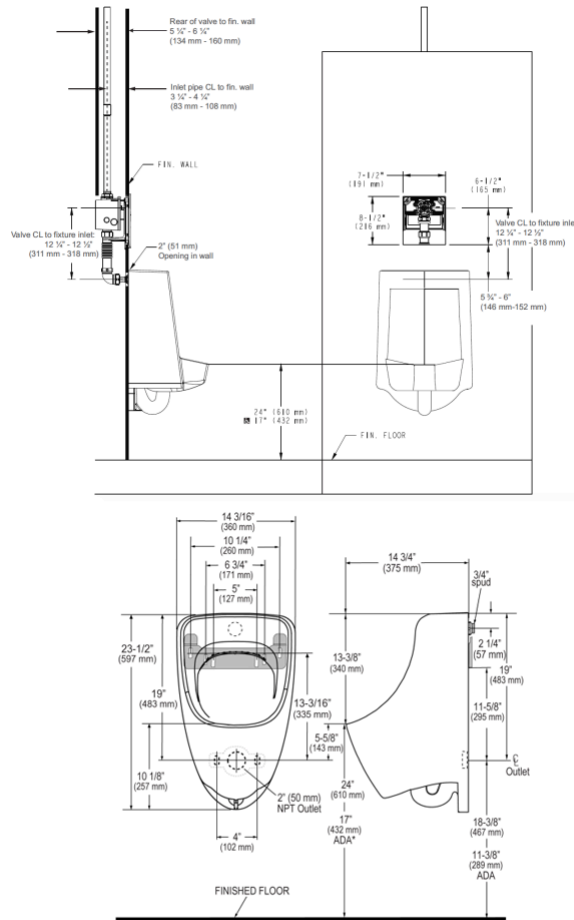
NOTES

All information contained within this document subject to change without notice.

WARRANTY

[View Warranty Information](#)

ROUGH-IN



NOTE: ADA urinal rim height requirements allow all heights 17" and below. Sloan strongly recommends roughing in the drain to achieve a 16 1/2" rim height or less to ensure compliance.

Sloan 10500 Seymour Ave, Franklin Park, IL 60131
 Phone: 800.982.5839 • Fax: 800.447.8329 • sloan.com